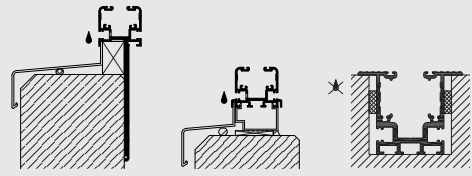
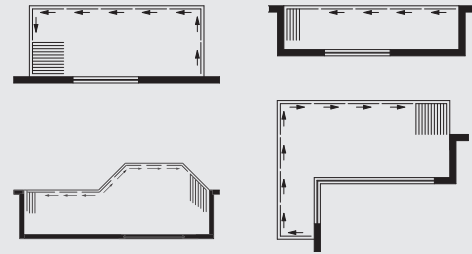


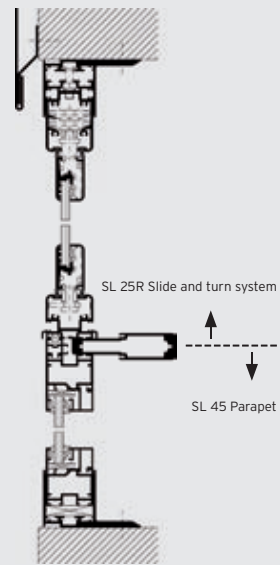
## FLOOR TRACKS



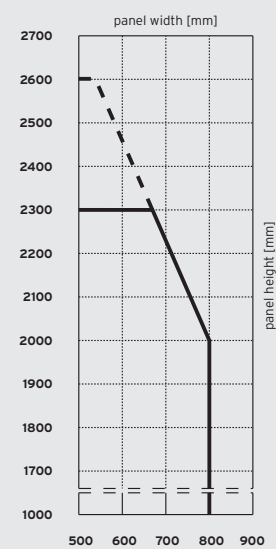
## CONFIGURATION VARIANTS



## PARAPET DETAIL



## PANEL SIZE CHART



## VARIANTS

- Available as top hung panels
- Panels can be ordered to open either internally or externally, to the left and/or right

## PROFILE SYSTEM

- Profile thickness 27 mm
- Framed slide and turn system
- In-line support, with vertical panel profiles

## WINDOW SYSTEM

- Can be combined with SL 45 window system: parapets, fixed panels, tilt and turn

## FITTINGS

- No protruding runner and guide tracks
- Concealed fittings for one hand operation
- Integrated 2-step-locking
- Patented one handed operation by means of stainless steel cable control
- Turning sash equipped with knob grip for easy internal and external operation (optional)
- Extensive layout options thanks to mobile carriage which can be manoeuvred through all angles from 90° - 180°
- No parking station for panels required

## GLAZING

- Glazing with single pane safety glass
- Glass thickness 6, 8 or 10 mm available

## SURFACE FINISH

- Powder coating to RAL
- Anodised aluminium to EURAS

## MAXIMUM PANEL SIZES

- 800 x 2000 mm
- 675 x 2300 mm
- Special sizes on request
- The total element width is unlimited

## TESTED FOR

- IWT (Institute of Window Technology) certificate No. 106 31293
- TÜV certificate No.: B 99 09 37329 001
- 18.000 cycles - vacuum and pressure tested, both +/-1.000 Pa
- 10.000 opening and closing operation cycles
- Pendulum impact test with 45 kg penetrator which impacts the glazing from a deflection angle of 30° and with a radius of 1.2 m
- Otto-Graf-Institut, University of Stuttgart test report No.: 25-31188, system test



567020202900 / 032010 / subject to technical changes



SLIDE AND TURN SYSTEM  
SL 25R

**SOLARLUX**<sup>®</sup>  
glass in motion

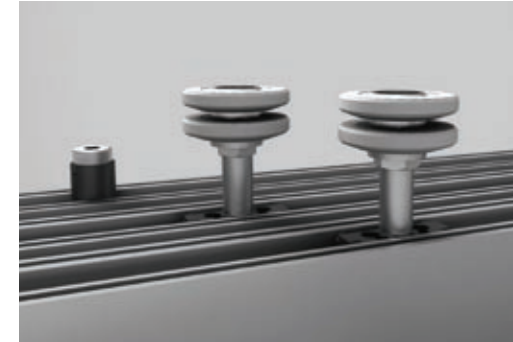
**SOLARLUX**<sup>®</sup>





#### ENGINEERED

Horizontal twin ball bearing runner devices guarantee that window sashes can be slid open extremely smoothly.



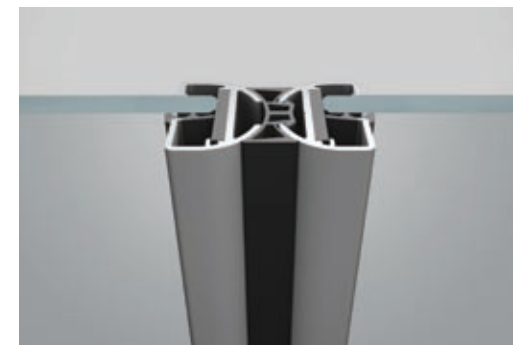
#### WEATHER STRIPPING & ACOUSTIC INSULATION

The framed slide and turn system provides protection from driving rain and acoustic insulation (25 dB).



#### TRANSPARENCY

Panel joints of only 46 mm width ensure maximum view.



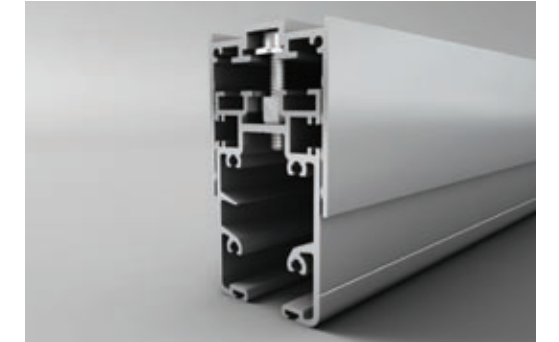
#### WIDTH ADJUSTMENT

Width compensation up to 30 mm by means of adjustable frame and panel stops (important to compensate building tolerances).



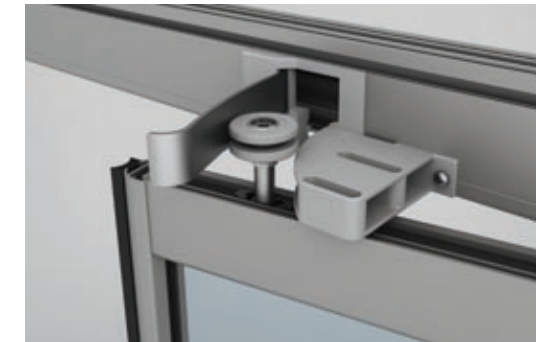
#### HEIGHT ADJUSTMENT

Height compensation section to absorb tolerances of up to 35 mm (even after installation).



#### VENTILATION

Lockable 2-step trickle ventilation for controlled ventilation (optional).



#### SECURITY

The integrated 2-step-locking and an additional security by lock (optional) provide intruder protection.



#### CLEANING

Cleaning of the outer glass surface is easily carried out from the inside.

