

MHB 

Butch collectors of steel since 1857

Rocky Mountain Collection of Exclusive Hardware

Discover MHB & Rocky Mountain Hardware Collection and enjoy the highest standard of exclusive hardware.

mhb.us

MHB & Rocky Mountain Collection of Exclusive Hardware

MHB has partnered up with Rocky Mountain Hardware to provide the most exclusive hardware for steel doors. A perfect partnership of companies that know how to produce quality. No mass produced items, but handcrafted, unique products. Each mold is hand-sculpted. Each piece is hand-poured and individually-cast. The finishing touch is a hand-applied finish that brings warmth and life to our handcrafted hardware.

It takes time to create pieces that are timeless. It takes master craftsmanship to create the combination of beauty and functionality that is the standard for every premium piece of MHB & Rocky Mountain Hardware. The expansive collection of hardware and accessories makes it easy to create continuity throughout your entire project.

*"Dutch Masters of Steel
Since 1667"*

Finish options Hand-Applied Bronze-Alloy Finishes

The hand-applied patinas are a point of pride for MHB & Rocky Mountain Hardware. They add an element of organic warmth and enduring beauty to every piece of hardware we create.

We offer two bronze-alloys, silicon bronze and white bronze, which when combined with a hand applied patina results in 12 hue options. All products are available in any finish.

Silicon bronze and white bronze are both valued for their beauty and lasting strength. A favorite material throughout history, bronze has endured for centuries.

Our eco-conscious, premium quality finishes age elegantly, and develop rich, lustrous patinas that are unique to each piece of hardware as it is influenced by time, touch, and climate.

Silicon bronze



Silicon Bronze Brushed Silicon Bronze Light Silicon Bronze Medium Silicon Bronze Dark Silicon Bronze Dark Lustre Silicon Bronze Rust Silicon Bronze High Polished

White bronze

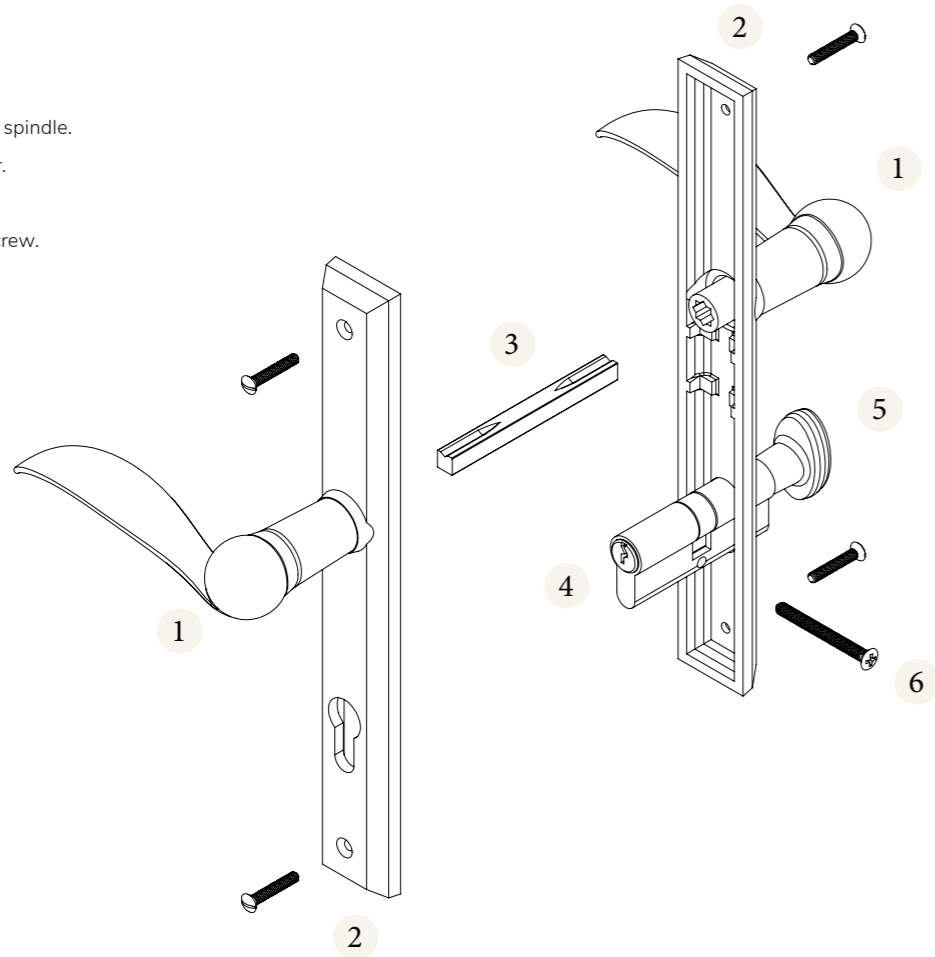


White Bronze Brushed White Bronze Light White Bronze Medium White Bronze Dark White Bronze High Polished



Multi-point Profile Cylinder set - lever to lever

1. Lever.
2. Escutcheon.
3. 8 mm Straight spindle.
4. Profile cylinder.
5. Turn piece.
6. Cylinder set screw.



Available Trims:

MHB & RMH have the following trims available (Rectangular example set):

Entry Trim:



E455 E455

Patio Trim:



E456 E455

Full Dummy:



E456 E456

Dutch Masters of Steel since 1667



Available Escutcheons

Arched

- E718 = 1 3/8" x 11" Arched (LHi)
- E719 = 1 3/8" x 11" Arched (LHi)(PR)
- E746 = 1 3/4" x 11" Arched (LHi)
- E748 = 1 3/4" x 11" Arched (LHi)(PR)

Bordeaux

- E30865 = 2" x 17" Bordeaux (LHi)
- E30868 = 2" x 17" Bordeaux (LHi)(PR)

Briggs

- E10871 = 2" x 15" Briggs (LHi)
- E10873 = 2" x 15" Briggs (LHi)(PR)

Convex

- E30565 = 1 3/4" x 11" Convex (LHi)
- E30568 = 1 3/4" x 11" Convex (LHi)(PR)

Corbel Arched

- E30665 = 2" x 11" Corbel (LHi)
- E30668 = 2" x 11" Corbel (LHi)(PR)

Corbel Rectangular

- E30765 = 2" x 11" Corbel (LHi)
- E30768 = 2" x 11" Corbel (LHi)(PR)

Curved

- E576 = 1 3/8" x 11" Curved (LHi)
- E575 = 1 3/8" x 11" Curved (LHi)(PR)
- E530 = 1 3/4" x 11" Curved (LHi)
- E532 = 1 3/4" x 11" Curved (LHi)(PR)

Edge

- E195 = 1 3/4" x 11" Edge (LHi)
- E198 = 1 3/4" x 11" Edge (LHi)(PR)

Ellis

- E041 = 1 3/4" x 11" Ellis (LHi)
- E046 = 1 3/4" x 11" Ellis (LHi)(PR)

Fleur de Lis

- E824 = 2" x 15" Fleur de Lis (LHi)
- E825 = 2" x 15" Fleur de Lis (LHi)(PR)

Mack

- E21041 = 1 3/4" x 11" Mack (LHi)
- E21046 = 1 3/4" x 11" Mack (LHi)(PR)

Maddox

- E591 = 1 3/4" x 11" Maddox (LHi)
- E592 = 1 3/4" x 11" Maddox (LHi)(PR)

Metro

- E270 = 1 3/8" x 11" Metro (LHi)
- E274 = 1 3/8" x 11" Metro (LHi)(PR)
- E241 = 1 3/4" x 11" Metro (LHi)
- E246 = 1 3/4" x 11" Metro (LHi)(PR)

Rectangular

- E456 = 1 3/8" x 11" Rect (LHi)
- E455 = 1 3/8" x 11" Rect (LHi)(PR)
- E446 = 1 3/4" x 11" Rect (LHi)
- E448 = 1 3/4" x 11" Rect (LHi)(PR)

Stepped

- E376 = 1 3/8" x 11" Stepped (LHi)
- E375 = 1 3/8" x 11" Stepped (LHi)(PR)
- E330 = 1 3/4" x 11" Stepped (LHi)
- E332 = 1 3/4" x 11" Stepped (LHi)(PR)

Trousdale

- E30365 = 1 3/4" x 11" Trousdale (LHi)
- E30368 = 1 3/4" x 11" Trousdale (LHi)(PR)

**Find all available
Levers here**

Arched escutcheons

Click here for online product information
for the below set.



E718 = 1 3/8" x 11" Arched (LHi)
E719 = 1 3/8" x 11" Arched (LHi)(PR)

Shown with Old World Lever (L123)
Shown in Silicon Bronze Medium (BM)

Click here for online product information
for the below set.



E746 = 1 3/4" x 11" Arched (LHi)
E748 = 1 3/4" x 11" Arched (LHi)(PR)

Shown with Scroll Lever (L127)
Shown in Silicon Bronze Light (BL)

Bordeaux escutcheons

Click here for online product information
for the below set.



E30865 = 2" x 17" Bordeaux (LHi)
E30868 = 2" x 17" Bordeaux (LHi)(PR)

Shown with Classic Scroll Lever (L125)
Shown in Silicon Bronze Dark Lustre (BDL)

Briggs escutcheons

Click here for online product information
for the below set.



E10871 = 2" x 15" Briggs (LHi)
E10873 = 2" x 15" Briggs (LHi)(PR)

Shown with Briggs Lever (L10801)
Shown in Silicon Bronze Light (BL)

- Please contact us for pricing.
- Combinations are shown with selected lever for illustrations purposes only. [Refer here for your desired lever.](#)
- Entry, Patio, and Passage functions include 8mm spindle.
- Specify metal, patina, handing, backset, door thickness, lock type, and center-to-center dimension.
- All entry and patio sets come standard with matching turnpiece.

Dutch Masters of Steel since 1667

- Please contact us for pricing.
- Combinations are shown with selected lever for illustrations purposes only. [Refer here for your desired lever.](#)
- Entry, Patio, and Passage functions include 8mm spindle.
- Specify metal, patina, handing, backset, door thickness, lock type, and center-to-center dimension.
- All entry and patio sets come standard with matching turnpiece.

Dutch Masters of Steel since 1667

Convex escutcheons



E30565 = 1 3/4" x 11" Convex (LHi)
E30568 = 1 3/4" x 11" Convex (LHi)PR

Shown with Tube Lever (L108)
Shown in Silicon Bronze Rust (BR)

Corbel Arched escutcheons

Click here for online product information
for the below set.



E30665 = 2" x 11" Corbel (LHi)
E30668 = 2" x 11" Corbel (LHi)PR

Shown with Crown Lever (L30160)
Shown in White Bronze Light (BL)

Corbel Rectangular escutcheons



E30765 = 2" x 11" Corbel (LHi)
E30768 = 2" x 11" Corbel (LHi)PR

Shown with Crown Lever (L30160)
Shown in White Bronze Dark (WD)

- Please contact us for pricing.
- Combinations are shown with selected lever for illustrations purposes only. [Refer here for your desired lever.](#)
- Entry, Patio, and Passage functions include 8mm spindle.
- Specify metal, patina, handing, backset, door thickness, lock type, and center-to-center dimension.
- All entry and patio sets come standard with matching turnpiece.

Dutch Masters of Steel since 1667

- Please contact us for pricing.
- Combinations are shown with selected lever for illustrations purposes only. [Refer here for your desired lever.](#)
- Entry, Patio, and Passage functions include 8mm spindle.
- Specify metal, patina, handing, backset, door thickness, lock type, and center-to-center dimension.
- All entry and patio sets come standard with matching turnpiece.

Dutch Masters of Steel since 1667

Curved escutcheons



E576 = 1 3/8" x 11" Curved (LHi)
E575 = 1 3/8" x 11" Curved (LHi)(PR)

Shown with Strap Lever (L301)
Shown in Silicon Bronze Rust (BR)

Click here for online product information
for the below set.



E530 = 1 3/4" x 11" Curved (LHi)
E532 = 1 3/4" x 11" Curved (LHi)(PR)

Shown with Rock Creek Lever (L121)
Shown in Silicon Bronze Light (BL)

- Please contact us for pricing.
- Combinations are shown with selected lever for illustrations purposes only. [Refer here for your desired lever.](#)
- Entry, Patio, and Passage functions include 8mm spindle.
- Specify metal, patina, handing, backset, door thickness, lock type, and center-to-center dimension.
- All entry and patio sets come standard with matching turnpiece.

Dutch Masters of Steel since 1667

Edge escutcheons

Click here for online product information
for the below set.



E195 = 1 3/4" x 11" Edge (LHi)
E198 = 1 3/4" x 11" Edge (LHi)(PR)

Shown with Shift Lever (L20230)
Shown in Silicon Bronze Dark (BD) on
Wood (EWD)

- Please contact us for pricing.
- Combinations are shown with selected lever for illustrations purposes only. [Refer here for your desired lever.](#)
- Entry, Patio, and Passage functions include 8mm spindle.
- Specify metal, patina, handing, backset, door thickness, lock type, and center-to-center dimension.
- All entry and patio sets come standard with matching turnpiece.

Dutch Masters of Steel since 1667

Ellis escutcheons

Click here for online product information
for the below set.



E041 = 1 3/4" x 11" Ellis (LHi)
E046 = 1 3/4" x 11" Ellis (LHi)(PR)

Shown with Ellis Lever (L075)
Shown in White Bronze Medium (WM)

Fleur de Lis escutcheons

Click here for online product information
for the below set.



E824 = 2" x 15" Fleur de Lis (LHi)
E825 = 2" x 15" Fleur de Lis (LHi)(PR)

Shown with Classic Lever (L110)
Shown in White Bronze Dark (WD)

- Please contact us for pricing.
- Combinations are shown with selected lever for illustrations purposes only. [Refer here for your desired lever.](#)
- Entry, Patio, and Passage functions include 8mm spindle.
- Specify metal, patina, handing, backset, door thickness, lock type, and center-to-center dimension.
- All entry and patio sets come standard with matching turnpiece.

Dutch Masters of Steel since 1667

Mack escutcheons

Click here for online product information
for the below set.



E21041 = 1 3/4" x 11" Mack (LHi)
E21046 = 1 3/4" x 11" Mack (LHi)(PR)

Shown with Emile Lever (L21005)
Shown in Silicon Bronze Rust (BR)

Maddox escutcheons

Click here for online product information
for the below set.



E591 = 1 3/4" x 11" Maddox (LHi)
E592 = 1 3/4" x 11" Maddox (LHi)(PR)

Shown with Maddox Lever (L580)
Shown in Silicon Bronze Medium (BM)

- Please contact us for pricing.
- Combinations are shown with selected lever for illustrations purposes only. [Refer here for your desired lever.](#)
- Entry, Patio, and Passage functions include 8mm spindle.
- Specify metal, patina, handing, backset, door thickness, lock type, and center-to-center dimension.
- All entry and patio sets come standard with matching turnpiece.

Dutch Masters of Steel since 1667

Metro escutcheons

Click here for online product information
for the below set.



E270 = 1 3/8" x 11" Metro (LHi)
E274 = 1 3/8" x 11" Metro (LHi)(PR)

Shown with Pool Lever (L310)
Shown in White Bronze Dark (WD)

Click here for online product information
for the below set.



E241 = 1 3/4" x 11" Metro (LHi)
E246 = 1 3/4" x 11" Metro (LHi)(PR)

Shown with Tube Lever (L108)
Shown in Silicon Bronze Brushed (BBB)

Rectangular escutcheons

Click here for online product information
for the below set.



E456 = 1 3/8" x 11" Rect (LHi)
E455 = 1 3/8" x 11" Rect (LHi)(PR)

Shown with Briggs Lever (L10801)
Shown in White Bronze Light (WL)

Click here for online product information
for the below set.



E446 = 1 3/4" x 11" Rect (LHi)
E448 = 1 3/4" x 11" Rect (LHi)(PR)

Shown with Bella Lever (L150)
Shown in Silicon Bronze Light (BL)

- Please contact us for pricing.
- Combinations are shown with selected lever for illustrations purposes only. [Refer here for your desired lever.](#)
- Entry, Patio, and Passage functions include 8mm spindle.
- Specify metal, patina, handing, backset, door thickness, lock type, and center-to-center dimension.
- All entry and patio sets come standard with matching turnpiece.

Dutch Masters of Steel since 1667

- Please contact us for pricing.
- Combinations are shown with selected lever for illustrations purposes only. [Refer here for your desired lever.](#)
- Entry, Patio, and Passage functions include 8mm spindle.
- Specify metal, patina, handing, backset, door thickness, lock type, and center-to-center dimension.
- All entry and patio sets come standard with matching turnpiece.

Dutch Masters of Steel since 1667

Stepped escutcheons

Click here for online product information
for the below set.



E376 = 1 3/8" x 11" Stepped (LHi)
E375 = 1 3/8" x 11" Stepped (LHi)(PR)

Shown with Ribbon & Reed Lever (L182)
Shown in Silicon Bronze Light (BL)



E330 = 1 3/4" x 11" Stepped (LHi)
E332 = 1 3/4" x 11" Stepped (LHi)(PR)

Shown with Legacy Lever (L109)
Shown in White Bronze Medium (WM)

- Please contact us for pricing.
- Combinations are shown with selected lever for illustrations purposes only. [Refer here for your desired lever.](#)
- Entry, Patio, and Passage functions include 8mm spindle.
- Specify metal, patina, handing, backset, door thickness, lock type, and center-to-center dimension.
- All entry and patio sets come standard with matching turnpiece.

Dutch Masters of Steel since 1667

Trousdale escutcheons

Click here for online product information
for the below set.



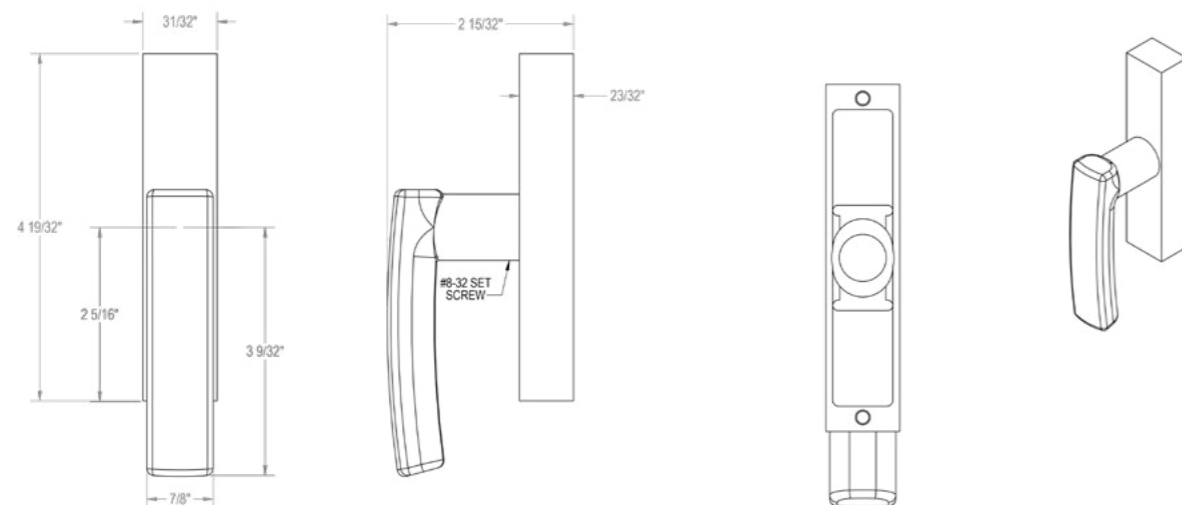
E30365 = 1 3/4" x 11" Trousdale (LHi)
E30368 = 1 3/4" x 11" Trousdale (LHi)(PR)

Shown with Trousdale Lever (L30301)
Shown in Silicon Bronze Rust (BR)

- Please contact us for pricing.
- Combinations are shown with selected lever for illustrations purposes only. [Refer here for your desired lever.](#)
- Entry, Patio, and Passage functions include 8mm spindle.
- Specify metal, patina, handing, backset, door thickness, lock type, and center-to-center dimension.
- All entry and patio sets come standard with matching turnpiece.

Dutch Masters of Steel since 1667

1" x 4-5/8" MHB & RMH WML Window Escutcheon

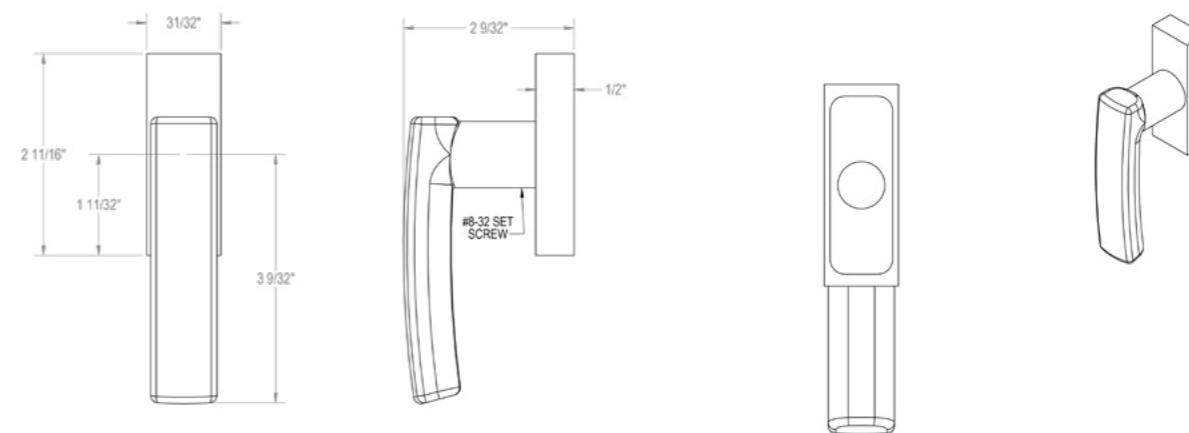


E92925 = 1" x 4-5/8" MHB WML Window Escutcheon
E92927 = 1" x 4-5/8" MHB WML Window Escutcheon

- Please contact us for pricing.
- Combinations are shown with selected lever for illustrations purposes only. [Refer here for your desired lever.](#)
- Entry, Patio, and Passage functions include 8mm spindle.
- Specify metal, patina, handing, backset, door thickness, lock type, and center-to-center dimension.
- All entry and patio sets come standard with matching turnpiece.

Dutch Masters of Steel since 1667

1" x 2-5/8" MHB & RMH Tilt & Turn Window Escutcheon



E92926 = 1" x 2-5/8" MHB T&T Window Escutcheon
E92928 = 1" x 2-5/8" MHB T&T Window Escutcheon

- Please contact us for pricing.
- Combinations are shown with selected lever for illustrations purposes only. [Refer here for your desired lever.](#)
- Entry, Patio, and Passage functions include 8mm spindle.
- Specify metal, patina, handing, backset, door thickness, lock type, and center-to-center dimension.
- All entry and patio sets come standard with matching turnpiece.

Dutch Masters of Steel since 1667



Dutch Masters of Steel
Since 1667